

# AISLE-MASTER

Increasing Storage-Reducing Costs

**AISLE  
MASTER**  
LIFTING INNOVATION



**INCREASE STORAGE SPACE  
CUT WAREHOUSING COSTS  
IMPROVE PRODUCTIVITY**

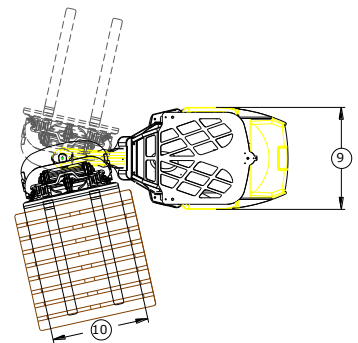
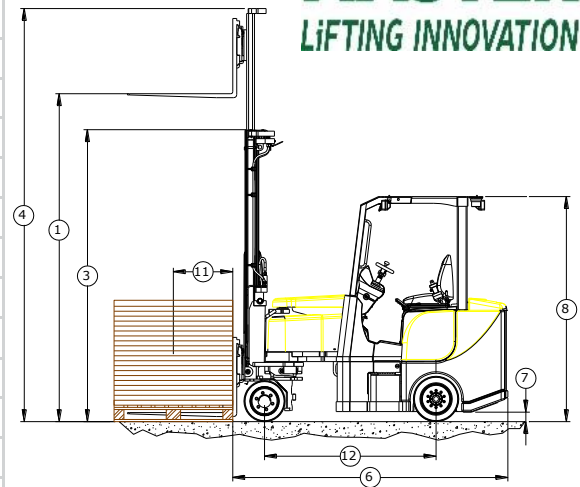
**AC ELECTRIC**

[www.Aisle-Master.com](http://www.Aisle-Master.com)

# AiSLE MASTER

LIFTING INNOVATION

	MODEL	15NE	33NE
REF.	Description		
1	Lift Height	4750 mm	187"
2	Free Lift	1536 mm	61"
3	Closed Height	2398 mm	94"
4	Extended Height	5613 mm	221"
5	Mast Range	4300 - 7650 mm	169" - 301"
6	Overall Length	2780 mm	109"
7	Ground Clearance	50 mm	2"
8	Overhead Guard height	2270 mm	89 ½"
9	Chassis Width Rear	1030 mm	40 ½"
10	Chassis Width Front	850 mm	33.5"
11	Load Centre	600 mm	24"
12	Wheel Base	1735 mm	68"
13	Seat Height	1220 mm	48"
14	Mast Tilt (back/fwd)	3 / 1	3 / 1
15	Capacity	1500kg	3300 lbs
16	Ground Speed	16km/h	10 mph
17	Lift Speed (Laden/Unladen)	0.4 / 0.5 m/s	1.3 / 1.6 ft/s
18	Front Tyre size	412 x 174mm	16 ¼" x 7"
19	Rear Tyre size	457 x 174mm	18" x 7"
20	Gradeability (Laden/Unladen)	12 / 15%	12 / 15%
21	Battery Voltage/Capacity	48v / 620 / 775 Ah	48v / 620 / 775 Ah
22	Weight of Truck less battery	6400 kg	14,100 lbs
23	Weight of truck including the battery	5150 kg	11,350 lbs
24	Standard Colour	Yellow/Grey	Yellow/Grey
25	Seat	Grammer	Grammer
OPTIONAL LIFT HEIGHTS AND FORK LENGTHS AVAILABLE			



### Features:

- AC Traction motor (11.5 kW)
- 620/775 Amp hour capacity battery
- Ergonomically designed operator's cab
- Full factory fitted customisations options available

Aisle-Master Ltd.  
Annahagh  
Co. Monaghan  
H18 VP65  
Ireland

Tel: +353 47 80400 | Fax: +353 47 80402